

TEMPERATURE

SENSOR THERMOWELLS AND WELL ADAPTERS

WB, WS



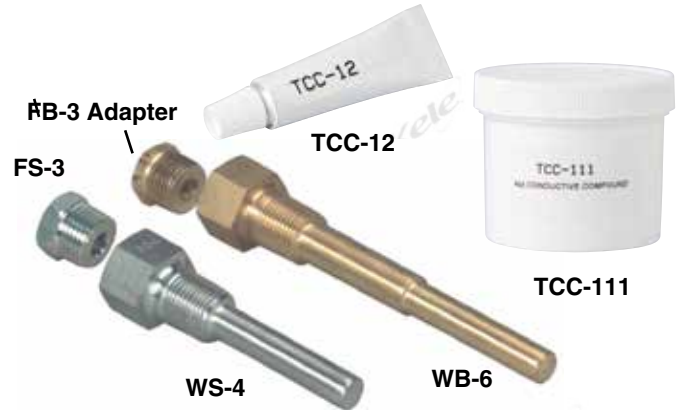
DESCRIPTION

The **Kele WB** and **WS Bulb Wells** are used with standard or custom length PreCon immersion thermistors and Type 63, 71, 81, 85 and 91 RTD sensors by using the **FB-3** (brass) or **FS-3** (stainless steel) adapter. These wells are also used directly with Minco immersion sensors and are designed to be installed into a standard 1/2" saddle or Thredolet®.

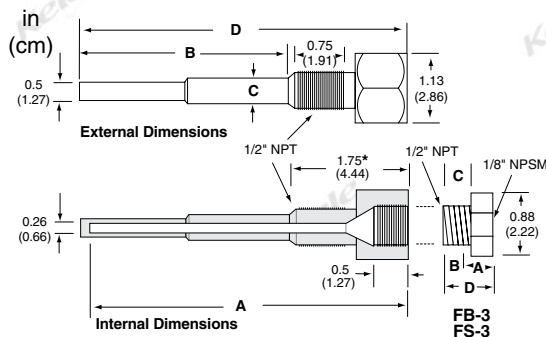
WB Brass Wells are compatible with noncorrosive liquids. They will withstand a maximum temperature of 400°F (204°C) at a static pressure of 1000 psi (6.9MPa).

WS 304 Stainless Steel Wells are compatible with corrosive or noncorrosive liquids. These will withstand a maximum temperature of 1000°F (538°C) at a static pressure of 4500 psi (31 MPa).

WARRANTY 1 year



DIMENSIONS



NOTE: Inside threads are 1/2" NPSM; outside threads are 1/2" NPT.

MODEL	ELEMENT LENGTH A	INSERTION LENGTH B	SHANK DIA LENGTH C	OVERALL LENGTH D
WB-2.5	2.5 (6.35)	1.4 (3.56)	N/A	2.75 (6.99)
WS-2.5	2.5 (6.35)	1.4 (3.56)	N/A	2.75 (6.99)
WB-4	4.0 (10.16)	2.5 (6.35)	N/A	4.3 (10.92)
WS-4	4.0 (10.16)	2.5 (6.35)	N/A	4.3 (10.92)
WB-6	6.0 (15.24)	4.5 (11.43)	0.625 (1.59)	6.3 (16.00)
WS-6	6.0 (15.24)	4.5 (11.43)	0.625 (1.59)	6.3 (16.00)
WB-9	9.0 (22.86)	7.5 (19.05)	0.625 (1.59)	9.3 (23.62)
WS-9	9.0 (22.86)	7.5 (19.05)	0.625 (1.59)	9.3 (23.62)
FB-3	0.44 (1.12)	0.31 (0.79)	0.5 (1.27)	0.75 (1.91)

*For WB-2.5 and WS-2.5 the head dimension is 1.5" long

ORDERING INFORMATION

MODEL	DESCRIPTION	Precon XL-probe length	Minco probe length
WB	Brass well		
WBF	Brass well with FB-3 1/2" to 1/8" well adapter		
WS	304 stainless steel well		
WSF	304 stainless steel well with FS-3 1/2" to 1/8" well adapter		
FB-3	1/2" to 1/8" brass well adapter for use with Precon and T102 sensors		
FS-3	1/2" to 1/8" stainless steel well adapter for use with Precon and T102 sensors		
LENGTH DESIGNATION (well only)		in (cm)	in (cm)
2.5	2.5" element length	2.5 (6.35)	2 (5.08)
4	4.0" element length	4 (10.16)	3.5 (8.89)
6	6.0" element length	6 (15.24)	5.5 (13.97)
9	9.0" element length	9 (22.86)	8.5 (20.40)
XX	Specify custom length (12", 15", 18", or 24")	12-24	XX - 0.5 = Probe length

WBF - 9 Example: WBF-9 brass well with 9" element length and FB-3 adapter

RELATED PRODUCTS

TCC-111 Thermal conductive compound 111 ml tub
TCC-12 Thermal conductive compound tube, 12 ml